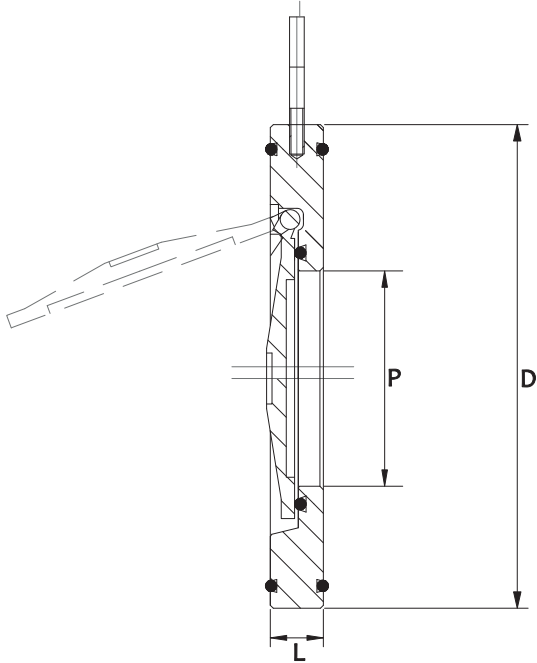


UNI-FLO THIN WAFER CHECK VALVE, PN16



MATERIALS LIST

NO.	PART	THIN	THIN SS
1	Body	*Steel	316SS
2	Disc	*Steel	316SS
3	Seat Ring	NBR/EPDM	Viton
4	Flange Ring	NBR/EPDM	Viton

*Steel is galvanized or chrome plated.

DESCRIPTION

1. Design and manufacture: API 6D
2. Face to face: API 6D
3. Testing according to : API 598
4. Suitable temperature: NBR: -10~-80°C
EPDM: -10~-120°C
VITON: -10~-150°C
5. Medium: Fresh water, sea water, waste water, food stuff, all kinds of oil, weak acid and alkaline liquid etc.

DIMENSIONS

DN (mm)	D	P	L
40	92	22	14
50	107	32	14
65	127	40	14
80	142	54	14
100	162	70	18
125	192	92	18
150	218	114	20
200	273	154	22
250	329	200	26
300	384	235	28
350	444	280	38
400	491	316	44
450	550	360	50
500	610	405	56
600	724	486	62