

UNI-FLO QM RUBBER LINED KNIFE GATE VALVE



HEAVY DUTY BI-DIRECTIONAL KNIFE GATE VALVE

Size Range:	DN50 - DN400
Pressure Rating:	DN50 - DN200 16bar DN250 - DN400 10bar
Flange Connection:	Wafer / semi lugged
Body Material:	SG Iron BS 420/12
Gate Material:	304 (316 & 2205 available on request)
Rubber Lining:	EPDM (other grades available on request)
Yoke Material:	FBE coated mild steel (304 & 316 available on request)
Flanges:	DIN T10 (other drillings available on request)

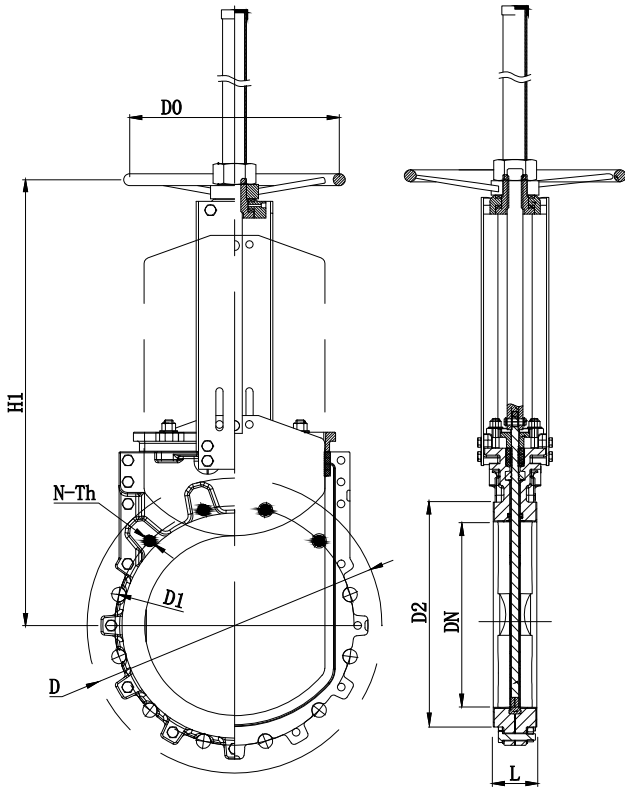
FEATURES

- Bi-directional sealing
- Fully rubber lined body including the flange surface.
- No groove or cavity in the bore of the valve where slurry can collect
- Precision machining of the stuffing box cavity reduces the force required to seal the valve which reduces the opening and closing torques.
- Arched PTFE scrapers across the width of the blade
- 16 bar pressure rating for valves from DN50 to DN200 and 10 bar pressure rating from DN250 to DN400
- Full bore unrestricted flow
- Self cleaning flush-out corners that prevents deposit build up in the sealing area.
- The spindle is protected against slurry splatter, utilising a spindle cover above the handwheel and bellows below.

SPECIFICATION

The valve will consist of a semi-lugged wafer type two-piece body. The valve must seal at maximum operating pressure in the direction of flow and the reverse direction. Both body halves shall be fully lined, including the flange faces. The valve must seal to atmosphere in the open position utilising an adjustable stuffing box. The valve design must allow for full bore unrestricted flow. The seat area must contain flush-out corners with no cavities when sediment can collect. The valve must be fitted with arched PTFE scrapers covering the width of the gate on both body halves.

UNI-FLO QM RUBBER LINED KNIFE GATE VALVE



DIMENSIONS

DN	L	D	D1	D2	D0	N-Th	d	HI
50	52	165	125	99	180	4-M16	Ø18	280
80	55	200	160	132	200	8-M16	Ø18	320
100	55	220	180	156	240	8-M16	Ø18	368
125	61	250	210	184	260	8-M16	Ø18	395
150	61	285	240	211	280	8-M16	Ø23	450
200	74	340	285	266	300	8-M16	Ø23	532
250	74	395	350	319	320	12-M20	Ø23	670
300	80	445	400	370	350	12-M20	Ø23	768
350	80	505	460	429	400	16-M20	Ø23	857
400	93	555	515	480	450	16-M24	Ø27	946

PARTS LIST

	DESCRIPTION	MATERIAL
1	Hand wheel	Ductile Iron
2	Bearing	GCr15
3	Yoke Flange	WCB
4	Stem Nut	Brass
5	Stem	SS420
6	Bolt	Fe-Zn
7	Gland	WCB
8	Packing	High-water-base fibre for lubrication
9	Rubber Lining	EPDM
10	Yoke	FBE Coated Mild Steel
11	Gate	SS304
12	Bolt	Fe-Zn
13	Scraper	PTFE
14	Body	WCB

