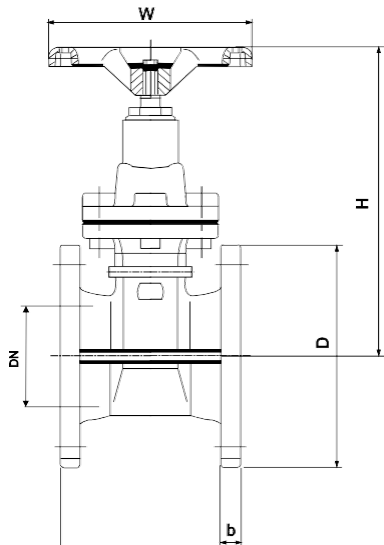


UNI-FLO RESILIENT SEAL GATE VALVE



MATERIALS LIST

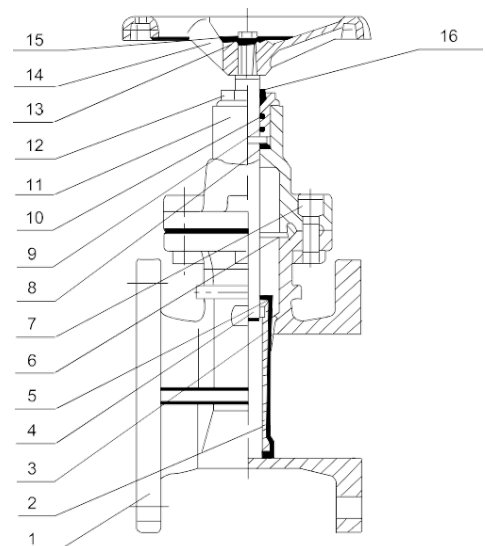
NO.	PART	MATERIAL	DIN STANDARD	BS STANDARD
1	Body	Ductile Iron	GGG40	BS 2798 420/12
2	Wedge	Ductile Iron	GGG40	BS 2798 420/12
3	Wedge	Rubber	EPDM/NBR	
4	Stem	Stainless Steel	X20Cr13	BS 970 420S37
5	Stem Nut	Brass		BS 2874 CA122
6	Gasket	Rubber	EPDM/NBR	
7	Screw	Steel	Ck45	BS 970 40E
8*	Gasket	Teflon/Brass		
9	O-Ring	Rubber	EPDM/NBR	
10	O-Ring	Rubber	EPDM/NBR	
11	Bonnet	Ductile Iron	GGG40	BS 2789 420/12
12	Gland	Brass		BS 2874 CZ122
13	Washer	Steel	Ck45	
14	Handwheel	Ductile Iron	GGG40	BS 2789 420/12
15	Bolt	Steel	Ck45	BS970 40E
16	Weather Seal	Rubber	NBR	

UNI-FLOW RSV VALVES

- Fusion bonded epoxy coated
- Conforms to SABS 664
- Pressure Rating: 16bar
- Body test pressure: 24bar
- Seat test pressure: 17.6bar
- Temperature Rating: NBR < 80°C, EPDM < 120°C
- Available with handwheel or cap top
- Available in flanged or socket end

DIMENSIONS

DN	L SABS 664	D	b	H	W
50	216	165	19	270	180
65		185	19	283	180
80	229	200	19	311	220
100	254	220	19	352	250
125		250	19	435	280
150	280	285	19	485	320
200	317	340	20	520	350
250	356	405	22	632	400
300	380	460	24.5	745	400
350	470	520	26.5	835	500
400	470	580	28	853	600
450	485	640	30	1030	630
500	510	715	31.5	1100	630
600	600	840	36	1300	630



UNI-FLO RESILIENT SEAL GATE VALVE

RSV GATE VALVE TORQUE AND CLOSING THRUST FIGURES:			
OPERATING TORQUE – NM		MANUAL OPERATION	
SIZE:	6 BAR	10 BAR	16 BAR
DN50	15NM	20NM	25NM
DN65	15NM	20NM	35NM
DN80	20NM	40NM	50NM
DN100	30NM	60NM	80NM
DN150	50NM	90NM	110NM
DN200	90NM	120NM	170NM
DN250	140NM	170NM	180NM
DN300	130NM	160NM	180NM
DN350	150NM	160NM	190NM
DN400	110NM	130NM	200NM
CLOSING THRUST REQUIRED - N			
SIZE:	6 BAR	10 BAR	16 BAR
DN50	3545N	4727N	5908N
DN65	3545N	4727N	8272N
DN80	4234N	8429N	10586N
DN100	6352	12703	16938
DN150	9587	17256	21091
DN200	15010	20013	28352
DN250	21044	25554	27057
DN300	33003	40619	45696
DN350	33952	36215	43006
DN400	23045	27235	41900