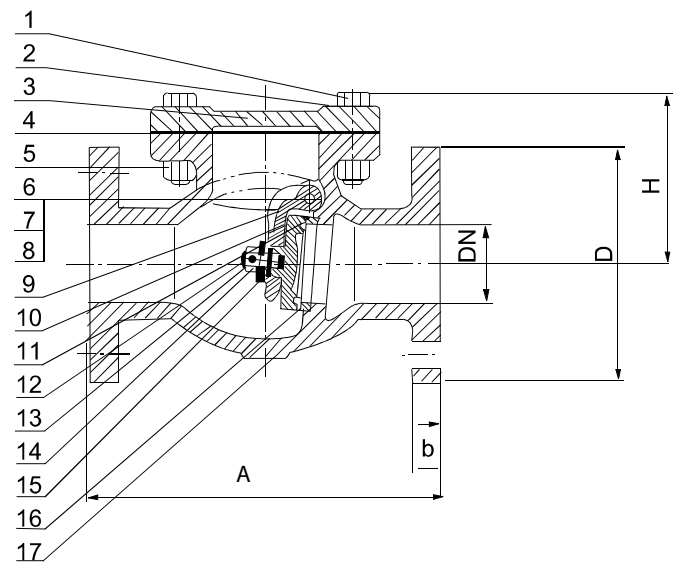


UNI-FLO CAST IRON SWING CHECK VALVE FIG 401A



- Designed to BS5153
- Drilling to BS4504 T10/16 or BS 10 Table D
- Pressure Rating: PN16



MATERIALS LIST

NO.	PART	MATERIAL
1	Bolt	Steel BS 970 43A
2	Identification Plate	Aluminium
3	Bonnet	Cast Iron
4	Body Gasket	Cast Iron
5	Nut	Steel BS 970 43A
6	Side Plug	Brass
7	Gasket	Fiber
8	Hanger Pin	Brass
9	Hanger	Ductile Iron BS 420/12
10	Disc	Cast Iron
11	Disc Ring	Cast Bronze LG2
12	Washer	Steel BS 970 43A
13	Split Pin	Stainless Steel BS 970 420S37
14	Disc Nut	Steel BS 970 43A
15	Stud Bolt	Steel BS 970 43A
16	Seat Ring	Cast Bronze LG2
17	Body	Cast Iron

DIMENSIONS

DN	A	D	b	H
50	203	165	20	112
65	216	185	20	132
80	241	200	22	141
100	292	220	24	163
125	330	250	26	197
150	356	285	26	212
200	495	340	30	257
250	622	405	32	298
300	698	460	32	330
350	787	520	36	364
400	914	580	38	420
450	965	640	40	618
500	1067	715	42	622
600	1219	840	48	764