

UNI-FLO HIGH PERFORMANCE DOUBLE ECCENTRIC BUTTERFLY VALVE

GENERAL SPECIFICATIONS

DESIGN TYPE

Double offset, double flanged, bi-directional
High Performance Butterfly Valve

ACCEPTABLE MEDIA

Water and neutral liquids

OPERATING PRESSURE RANGE

PN10, PN16 or PN25

OPERATING TEMPERATURE RANGE

0° TO 70°

SIZE RANGE

DN100 to DN2000

STANDARD FACTORY TESTS

Seat 1.1 x PN
Body 1.5 x PN

FLANGE SPECIFICATION

SABS 1123, BS4504, ANSI
BS EN 1092-2: 1997

DESIGN AND OPERATING OPTIONS

Gear Operated
Option of Electric or hydraulic actuation
Optional Full rubber Lining of Body
Seal in Disk or Seal in Body or Metal to Metal Seat
Alternative materials of construction

APPLICABLE STANDARDS

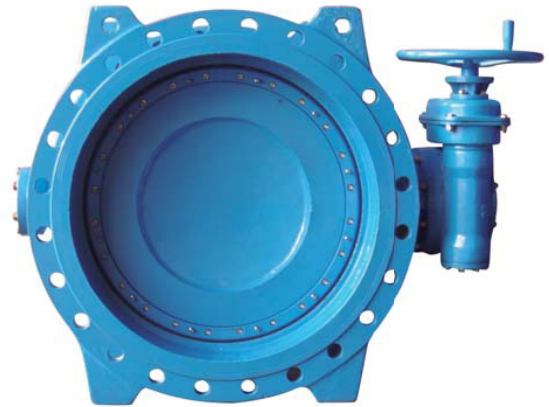
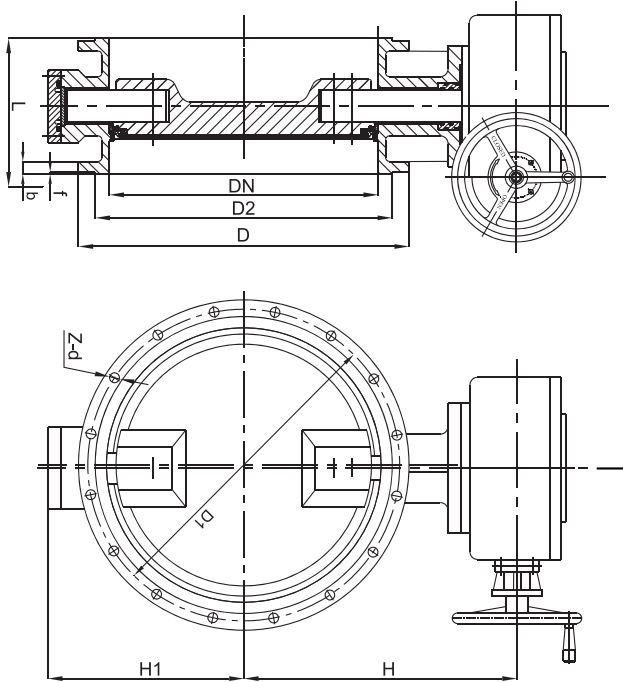
BS EN 593:2004
Face to Face BS EN 558 - Series 13



MATERIALS LIST

NO.	NAME OF PART	MATERIAL	BS STANDARD	DIN STANDARD
1	Bolt	Steel / SS		
2	End Cover	Ductile Iron	BS2789	Gr 450 / 10
3	O - Ring	EPDM	BS2494	
4	Bushes	Du Bushes		Self lubricating bushes
5	Body	Ductile Iron	BS2789	Gr 450 / 10
6	Shaft (1)	Stainless Steel	BS970	Gr 420 / 304
7	Disc	Ductile Iron	BS2789	Gr 450 / 10
8	Retaining ring	Stainless Steel	BS2789	Gr 304 / 316
9	Rubber sealing	EPDM	BS2494	
10	Body sealing ring	Stainless Steel	BS970	Gr 304 / 316
11	Stuffing	EPDM	BS2494	
12	Stuffing box	Gunmetal	BS1400	LG2
13	Shaft (2)	Stainless Steel	BS970	Gr 420 / 304
14	Manual actuator			

UNI-FLO HIGH PERFORMANCE DOUBLE ECCENTRIC BUTTERFLY VALVE



Pressure Rating (Mpa)		1,6	2,5
Testing pressure (Mpa)	Body shell	2,4	3,75
	Seal	1,76	2,75
Working pressure (Mpa)		1,6	2,5
Suitable temperature (°c)		<80	<80
Suitable medium		Water	Water

DIMENSIONS

DN(mm)	PN(Mpa)	ser13	L	ser 14	D	D1	D2	Z-d	b	f	H1	H	Do	kg
100	1,6	127		190	220	180	156	8-23	19	3	210	295	320	62
150	1,6	140		210	285	240	211	8-23	19	3	210	295	320	88
200	1,6	152		230	340	295	266	12-23	20	3	210	295	320	104
250	1,6	165		250	405	355	319	12-28	22	3	235	330	320	136
300	1,6	178		270	460	410	370	12-28	24,5	4	284	349	300	150
350	1,6	190		290	520	470	429	16-28	26,5	4	319	390	360	199
400	1,6	216		310	580	525	480	16-31	28	4	345	415	360	271
450	1,6	222		330	640	585	548	20-31	30	4	382	519	360	298
500	1,6	229		350	715	650	609	20-34	31,5	4	420	489	360	410
600	1,6	267		390	840	770	720	20-37	36	5	476	563	450	549
700	1,6	292		430	910	840	794	24-37	39,5	5	550	630	360	780
750	1,6	318		470	975	900	844	24-36	43	5	580	665	360	938
800	1,6	318		470	1025	950	901	24-40	43	5	600	678	450	1045
900	1,6	330		510	1125	1050	1001	28-40	46,5	5	665	838	500	1222
1000	1,6	410		550	1255	1170	1112	28-43	50	5	775	960	500	1905
1100	1,6	470		630	1355	1280	1218	32-43	53,5	5	860	1077	500	2146
1200	1,6	470		630	1485	1390	1328	32-49	57	5	910	1127	500	2408
1400	1,6	530		710	1685	1590	1530	36-49	60	5	985	1146	600	3510
1600	1,6	600		790	1930	1820	1750	40-56	65	5	1190	1559	600	7200
1800	1,6	670		870	2130	2020	1950	44-56	70	5	1420	1975	600	9980
2000	1,6	760		950	2345	2230	2150	48-62	75	5	1615	2085	600	13753