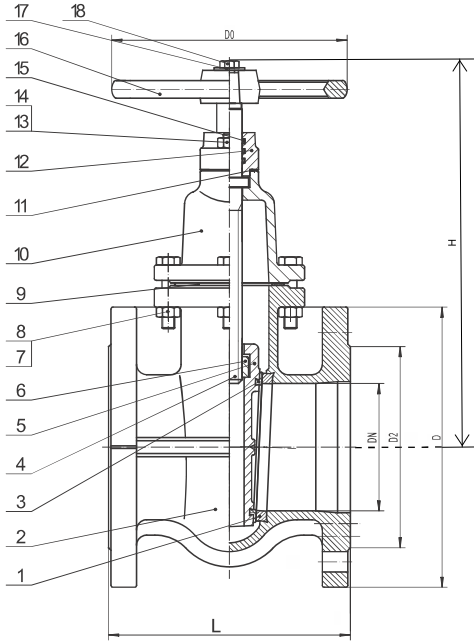


UNI-FLO DIN SOLID WEDGE GATE VALVE FIG 10



DESCRIPTION

1. Design conforms to DIN3352
2. Face to Face dimensions conform to DIN3202 F4 F5 Available on request.
3. Flanges conform to BS EN1092

MATERIALS LIST

NO.	PART	MATERIAL	STANDARD
1	Body Seat Ring	Cast Brass	G-CuZn37Pb
2	Body	Cast Iron	GG25
3	Wedge Seat Ring	Cast Brass	G-CuZn37Pb
4	Stem	Stainless Steel	X20Cr13
5	Wedge	Cast Iron	GG25
6	Stem nut	Cast Brass	
7	Bolt	Steel	RSt37-2
8	Nut	Steel	RSt37-2
9	Flange Gasket	Graphite	
10	Bonnet	Cast Iron	GG25
11	Stuffing Box Gasket	Rubber / Graphite	
12	Stuffing Box	Ductile Iron	GGG50
13	Bolt	Steel	RSt37-2
14	Nut	Steel	RSt37-2
15	O - Ring	NBR	
16	Handwheel	Cast Iron	GG25
17	Washer	Steel	RSt37-2
18	Bolt	Steel	RSt37-2

DIMENSIONS(mm)

DN	L	D	D2	H	DO
40	140	150	88	270	130
50	150	165	102	292	130
65	170	185	122	324	130
80	180	200	138	360	150
100	190	220	158	380	185
125	200	250	188	454	185
150	210	285	212	490	195
200	230	340	268	578	225
250	250	395	320	711	245
300	270	445	370	767	285
350	290	505	430	870	305
400	310	565	482	941	305
500	350	670	585	1188	400