

WAFER DOUBLE DOOR CHECK VALVE - PN16

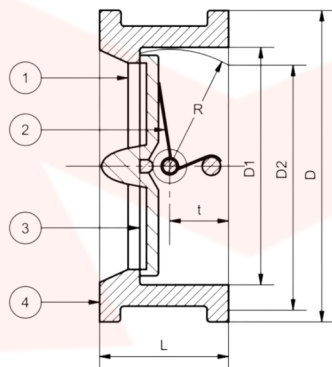
Product Description

Wafer double door check valve designed to automatically prevent backflow in pipeline systems. The valve closes rapidly on flow reversal, protecting pumps and piping in water and general utility applications. Suitable for PN16 pressure rating.



Key Features & Construction

- Type:** Double door (dual plate) check valve
- Operation:** Automatic (no external actuation)
- Body:** Cast iron
- Disc:** Stainless steel
- Seat / Seals:** EPDM / NBR
- Installation:** Wafer type
- Pressure Rating:** PN16
- Coating:** Epoxy coated
- Application:** Water and general services



Material List

Item	Part Name	Material
1	Disc	Stainless Steel 304SS
2	Spring	Stainless Steel
3	Gasket	NBR Rubber / EPDM / Viton
4	Body	Cast Iron (GG 25), Epoxy Powder Coated

Dimensions

Size		Dimensions							Mass (kg)
mm	Inch	D	D1	D2	L	R	T		
50	2"	107	65	43.3	43	28.8	19	2	
65	2.5"	127	80	60.2	46	36.1	20	2	
80	3"	142	94	66.4	64	43.4	28	4	
100	4"	162	117	90.8	64	52.8	27	4	
125	5"	192	145	116.9	70	65.7	30	7	
150	6"	218	170	144.6	76	78.6	31	8	
200	8"	273	224	198.2	89	104.4	33	15	
250	10"	328	265	233.7	114	127	50	26	
300	12"	378	310	283.9	114	140	43	35	
350	14"	438	360	332.9	127	152	45	55	
400	15"	489	410	381	140	152	52	73	
450	18"	535	450	419.9	152	217.8	58	81	
		555						81	
500	20"	594	505	467.8	152	241	58	124	
600	24"	695	624	572.6	178	395.4	73	187	
700	28"	820	720	680	229	338.5	98	219	
800	32"	915	825	744	241	385.5	100		
900	36"	1015	927		241	455.5	100	435	